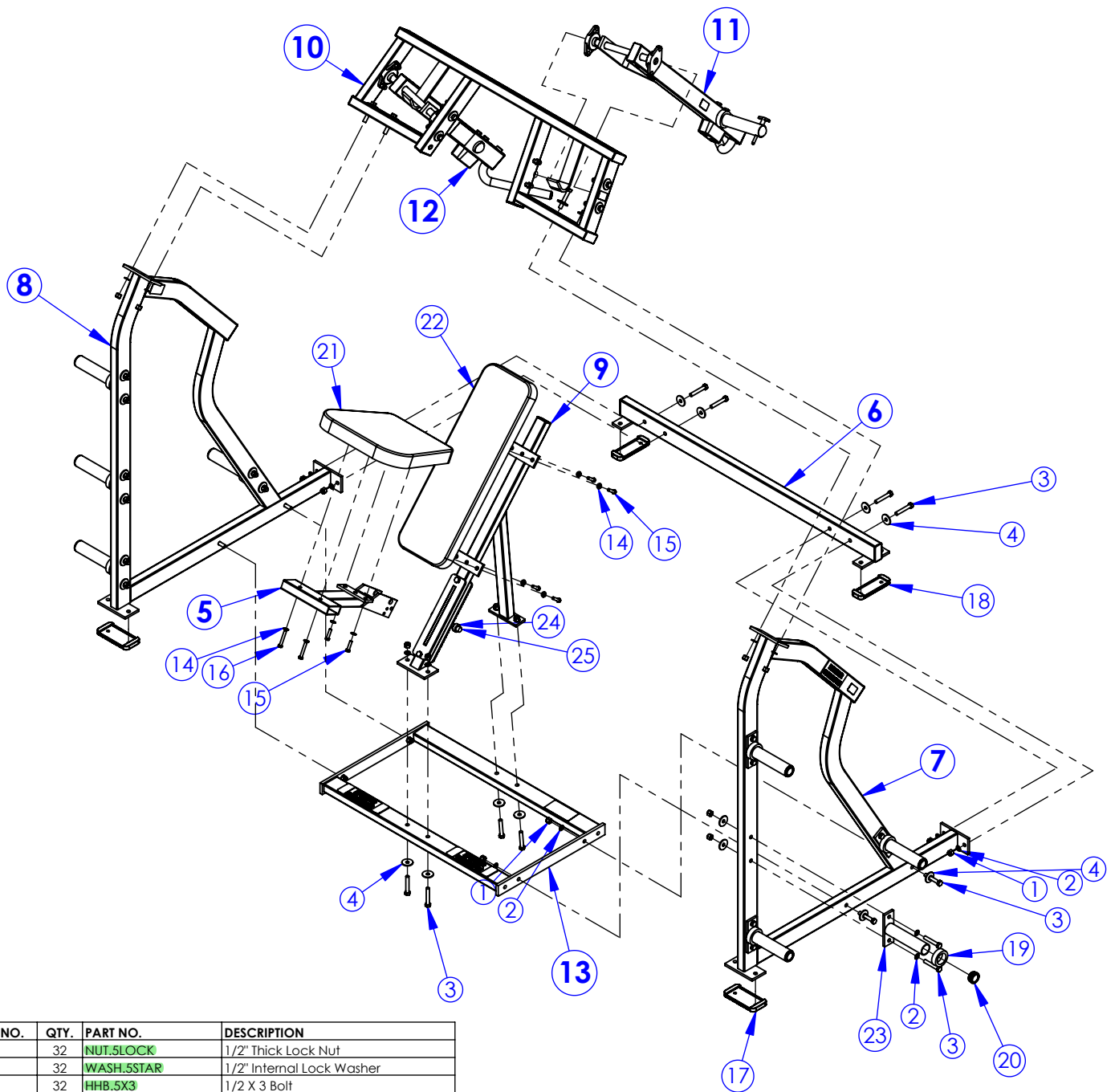


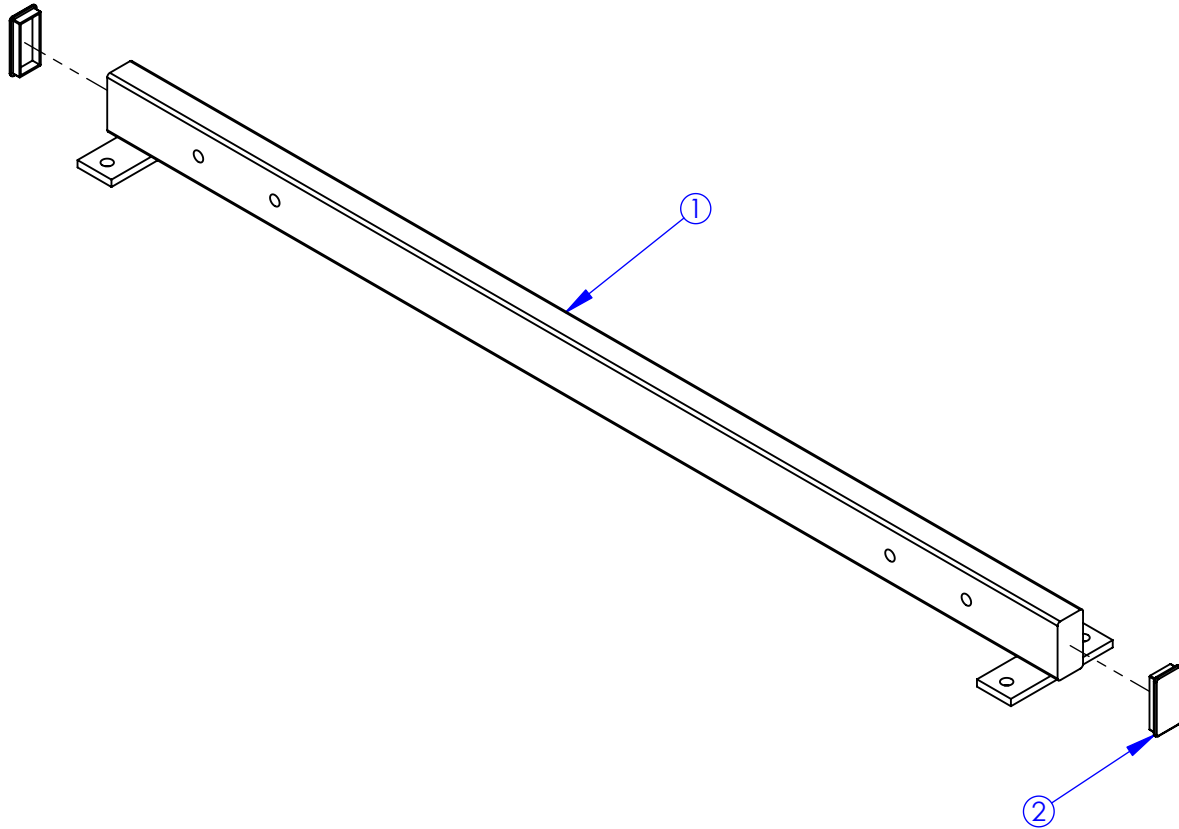
WEIGHT = 370 LB
LENGTH = 73"
WIDTH = 51 1/2"
HEIGHT = 73"

HAMMER STRENGTH EQUIPMENT ILSP EXPLODED



ITEM NO.	QTY.	PART NO.	DESCRIPTION
1	32	NUT.5LOCK	1/2" Thick Lock Nut
2	32	WASH.5STAR	1/2" Internal Lock Washer
3	32	HHB.5X3	1/2 X 3 Bolt
4	32	H-BACK-WASH	Backing Washer
5	1	STD-ST3-C	Component Seat Adjustment
6	1	ILSP-CBX-0	Component Bottom Cross Member
7	1	ILSP-CSFL-1	Component Side Frame Left
8	1	ILSP-CSFR-1	Component Side Frame Right
9	1	ILSP-CST-0	Component Seat Frame
10	1	ILSP-CTX-0	Component Top Cross Frame
11	1	ILSP-CMAL-1	Component Movement Arm Left
12	1	ILSP-CMAR-1	Component Movement Arm Right
13	1	ILSP-CFX-0	Component Front Cross Frame
14	8	WASH.375SAE	3/8" SAE Flat Washer
15	6	HHB.375X1.5	3/8 X 1 1/2 Bolt
16	2	HHB.375X2.5	3/8 X 2 1/2 Bolt
17	2	MM-9	Footpad, PS Rubber
18	2	MM-8	Footpad, PS Rubber
19	8	H-RUBRNG	MM5 Ring
20	8	H-RUBCAP2	PLUG, HAMMER WEIGHT HORN
21	1	U16-11	Standard 16" Pad
22	1	U33-19	Standard 33" Pad
23	8	H-HORN	WEIGHT HORN
24	2	H-LCOLLAR75	3/4" LOCK COLLAR
25	1	SSR75	SS Round

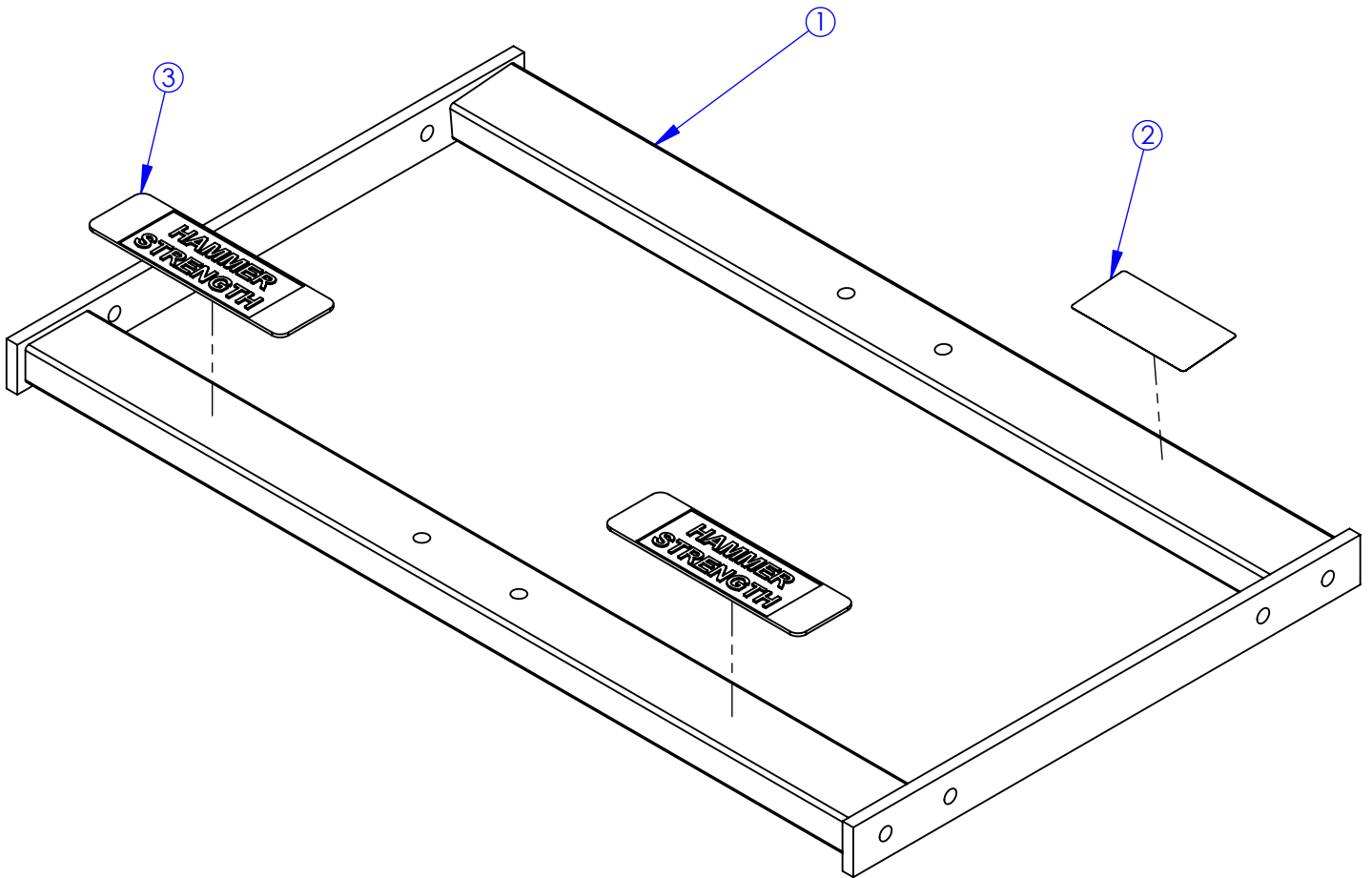
HAMMER STRENGTH EQUIPMENT
ILSP-CBX-0 X-mem Assembly



ITEM NO.	QTY.	PART NO.	DESCRIPTION
1	1	ILSP-BX-0	Bottom Cross Member Assy
2	2	RC1530-1Q1	1 1/2 X 3 End Cap

WEIGHT = 14 lb
 LENGTH = 56 1/4"
 WIDTH = 6"
 HEIGHT = 3 3/8"

HAMMER STRENGTH EQUIPMENT
ILSP-CFX-0 Bottom X-mem Assembly

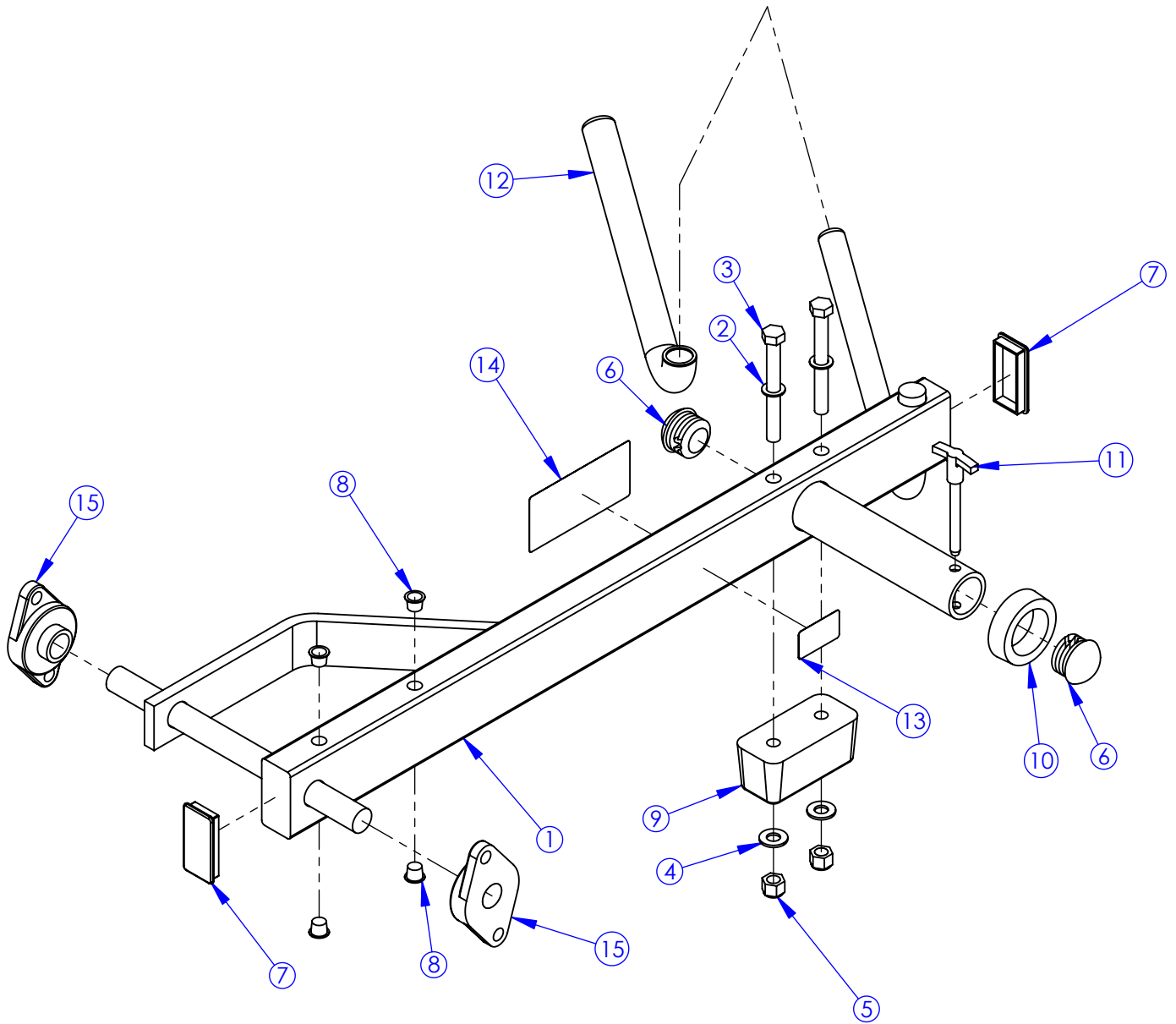


ITEM NO.	QTY.	PART NO.	DESCRIPTION
1	1	ILSP-FX-0	Forward Cross Frame Assy
2	1	WARNING LARGE-H	Large Warning Hor
3	2	H-NONSKID3	2 5/8 X 9 Nonskid

WEIGHT = 36 lb
 LENGTH = 39 1/4"
 WIDTH = 23 1/2"
 HEIGHT = 2"

HAMMER STRENGTH EQUIPMENT

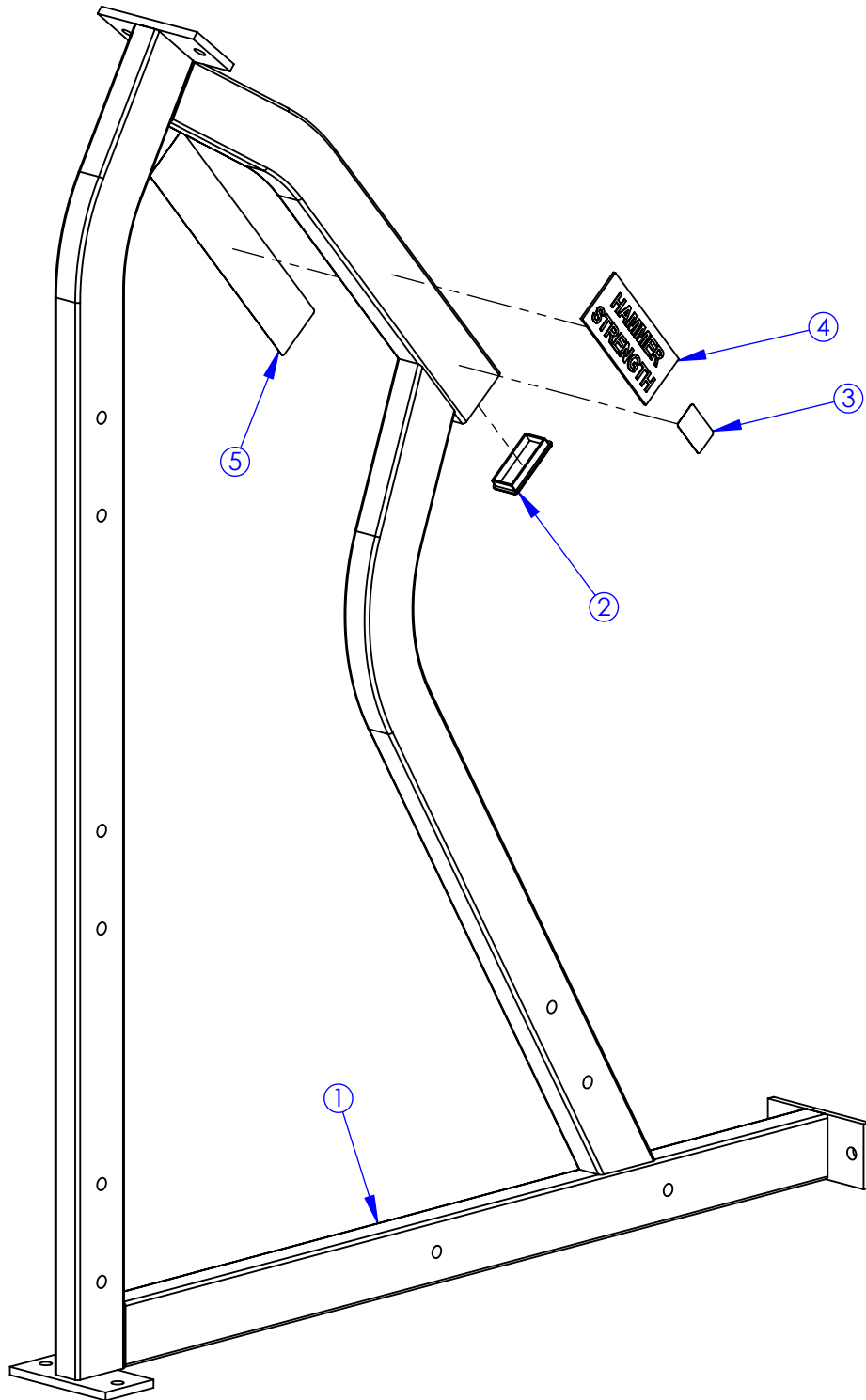
ILSP-CMAL-1 Left Workarm Assembly



ITEM NO.	QTY.	PART NO.	DESCRIPTION
1	1	ILSP-MAL-0	Left Movement Arm
2	2	WASH.5STAR	1/2" Internal Lock Washer
3	2	HHB.5X4.5	1/2 X 4 1/2 Bolt
4	2	WASH.5SAE	1/2" SAE Flat Washer
5	2	NUT.5LOCK	1/2" Thick Lock Nut
6	2	RUBCAP1	RUBBER CAP #1
7	2	RC1530-1Q1	1 1/2 X 3 End Cap
8	4	H-HPLUG	Hole Plug
9	1	H-BUMP-MED	MM2 Medium
10	1	H-RUBRNG	MM5 Ring
11	1	SELECTOR PIN-4	SELECTOR PIN 4 INCH
12	1	H-GRIP	1" Grip
13	1	STAY CLEAR	Stay Clear Decal
14	1	WARNING LARGE-H	Large Warning Hor
15	2	H-BEAR-SML	Small Bearing

WEIGHT = 26 lb
 LENGTH = 39"
 WIDTH = 20"
 HEIGHT = 6"

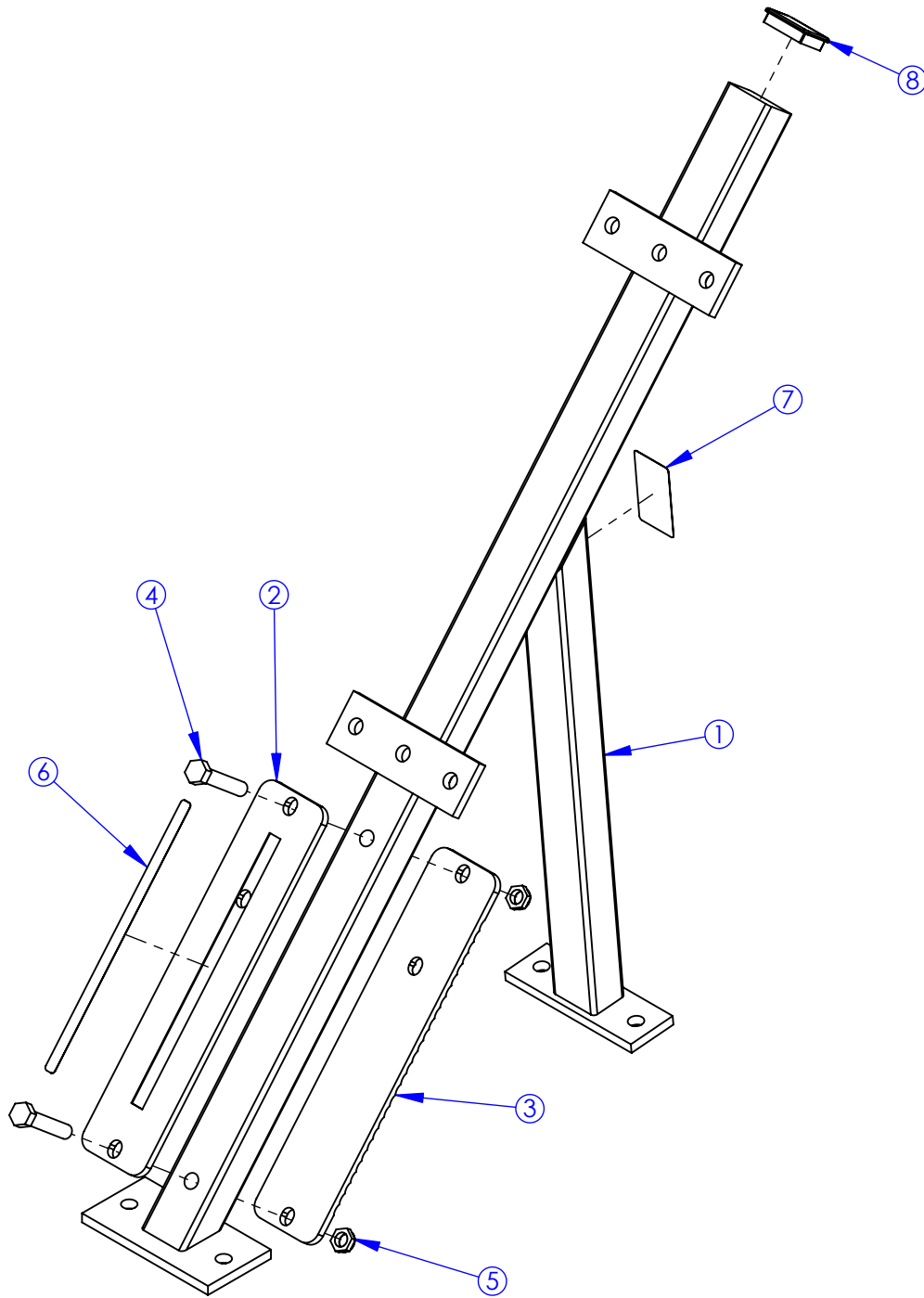
HAMMER STRENGTH EQUIPMENT
ILSP-CSFL-1 Left Side Frame Assembly



ITEM NO.	QTY.	PART NO.	DESCRIPTION
1	1	ILSP-SF-0	Side Frame Assy
2	1	RC1530-1Q1	1 1/2 X 3 End Cap
3	1	STAY CLEAR	Stay Clear Decal
4	1	H-NAMEPLATE	Name Plate
5	1	IDSP	Product Decal

WEIGHT = 56 lb
 LENGTH = 48"
 WIDTH = 6"
 HEIGHT = 62 1/8"

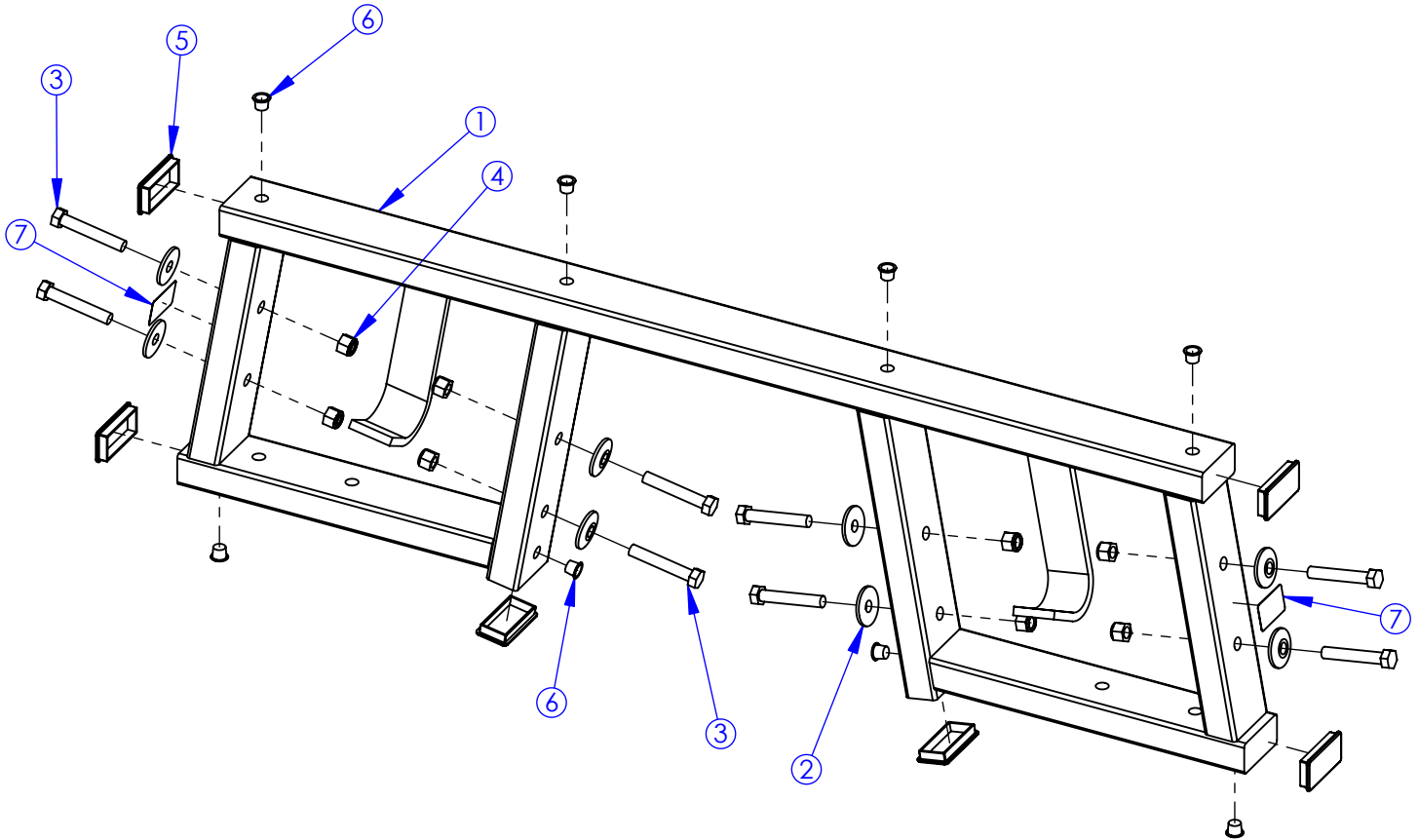
HAMMER STRENGTH EQUIPMENT
ILSP-CST-0 Seat Frame Assembly



ITEM NO.	QTY.	PART NO.	DESCRIPTION
1	1	ILSP-ST-0	Seat Frame Assy
2	1	H-SEATRCKS	Seatrack Front
3	1	H-SEATRCKS-RIB	Seatrack Back
4	2	HHB.5X2.5	1/2 X 2 1/2 Bolt
5	2	NUT.5JAMLOCK	1/2" Thin Lock Nut
6	1	SEAT NUMBER	Seat Adj. Number
7	1	SERIAL NUMBER	Serial Number
8	1	RC1520-1Q1	1 1/2 X 2 Endcap

WEIGHT = 23 lb
 LENGTH = 44 1/2"
 WIDTH = 17 1/4"
 HEIGHT = 6"

HAMMER STRENGTH EQUIPMENT
ILSP-CTX-0 Workbox Assembly



ITEM NO.	QTY.	PART NO.	DESCRIPTION
1	1	ILSP-TX-0	Work Box Assy
2	8	H-BACK-WASH	Backing Washer
3	8	HHB.5X3	1/2 X 3 Bolt
4	8	NUT.5LOCK	1/2" Thick Lock Nut
5	6	RC1530-1Q1	1 1/2 X 3 End Cap
6	8	H-HPLUG	Hole Plug
7	2	STAY CLEAR	Stay Clear Decal

WEIGHT = 45 lb
 LENGTH = 51 7/8"
 WIDTH = 15 1/4"
 HEIGHT = 3 7/8"